



3E0689-1DR

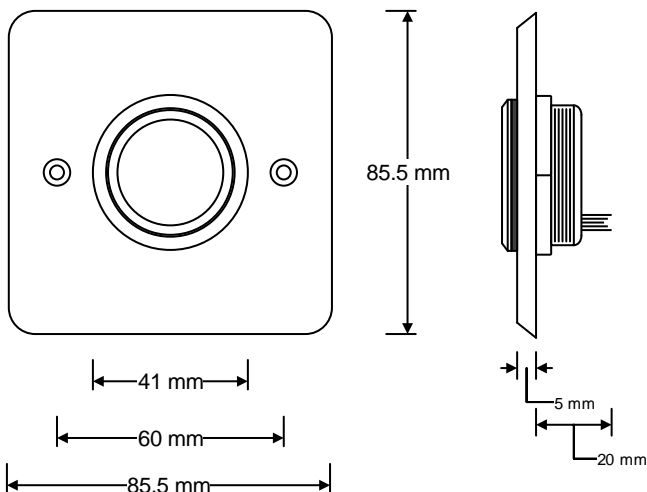
Overview

The infra red exit device has been designed to work in conjunction with access control systems. The switch is dual voltage (12/24Vdc), IP65 rated switch components and equipped with dual halo ring illumination. When the device is activated, the illumination will change from red (standby) to green (activated), however by use of a jumper, the exit device can be configured to operate in the reverse. This gives greater flexibility to the installer should a particular colour coding be required.

Allowing authorised egress without the need to physically open the door by touching the device helps to reduce the transference of dirt, disease or infection, thus making the device ideal for hospitals, laboratories and other sensitive areas.

Available in both flush and surface mount versions. CE approved, RohS and WEEE compliant.

Dimensions (mm) :

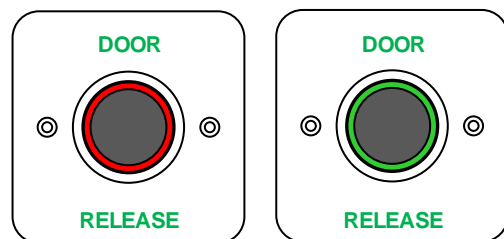


- IP65 Frontal Presentation
- 12/24Vdc Operation
- Dual Illumination (Red/Green)
- Infrared No Touch Button
- Adjustable Proximity Range

IMPORTANT: This product is for use in 12Vdc and 24Vdc applications only and should only be installed by a qualified person

Technical (switch)

Input Voltage	12/24Vdc
Output Loading	1A @ 30Vdc maximum
Maximum Current	25mA @ 12Vdc (approx)
Ingress Protection	IP65
Operating Temperature	-10°C to + 70°C
Body	Stainless Steel
Latch Time	0.5 to 20 Seconds (adjustable)
Contacts	1 x N/O, 1 x N/C
Operating Distance	3 to 20cm (adjustable)
Infra-red Sensor Life	100,000 Hours
Relay Life	1,000,000 Operations
Legend	DOOR RELEASE



Ordering information:

3E0689-1DR

Dual Halo IR Button 1 Gang Flush mount SSS Laser etched Door release