



3E0688-1PTE

Overview

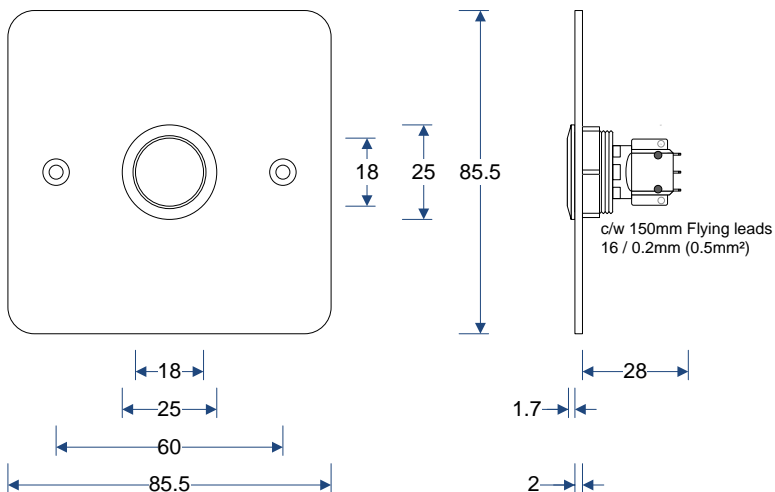
The 3E0688-1PTE vandal resistant button is highly suitable for applications in harsh environments. Panel sealed to IP67 (front side actuation area) and IK 07 shock resistance. Both switch body and switch actuator are machined precisely from quality stainless steel to stringent tolerances. The switch has a machined return which accommodates the neoprene "o" ring to seal the unit to the panel without visible signs of the washer.

A panel projection of just 1.7mm increases the resistance to attack.

The switch has a momentary contact providing one normally open, one normally closed and one common terminal (terminals are soldered with 16/0.2mm and then a chloroprene sleeve is positioned to increase protection).

Product is supplied flush mount, complete with fixings and a single gang, 35mm galvanised steel electrical backbox.

Dimensions (mm) :



Ordering information:

3E0688-1PTE

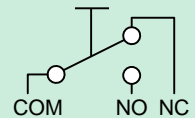
22mm mount vandal resistant button, 1 gang, SSS, PRESS TO EXIT

- IP67 Ingress protection
- Impact rating – IK07
- Momentary contact
- RoHS Compliant
- DIN EN 61058-1
- UL 1054

Technical

Switching function	Momentary, N/O, NC, C
Number of poles	1
Contact material	Ag
Switching current	Max. 2A 12/24Vdc
Lifetime (electrical)	0.2 million actuations
Contact resistance	<30mΩ
Insulation resistance	<100mΩ
Duration of bounce	<5 ms
Actuating force	4.5N
Actuator travel	1.0mm
Lifetime (mechanical)	1.5 million actuations
Shock protection	IK 07
Operating temperature	-25 to +85°C
IP protection	IP67 front side contact area
Salt spray test	DIN 50021-SS 24/48/96 h residence time
Housing / actuator	Stainless steel

Circuit form



Technical (panel)

Material	G304 Stainless steel
Dims	85.5 x 85.5 x 2mm
Legend	Screen print self etching ink