



3E0670-1PTE

Overview

The 3E0670-1PTE push button has the largest actuator in the high impact category.

Panel sealed to IP67 (frontal presentation). Due to the construction and the materials used, the 0670 is robust and capable of surviving the impact of a 5kg mass dropped from 40cm (20J).

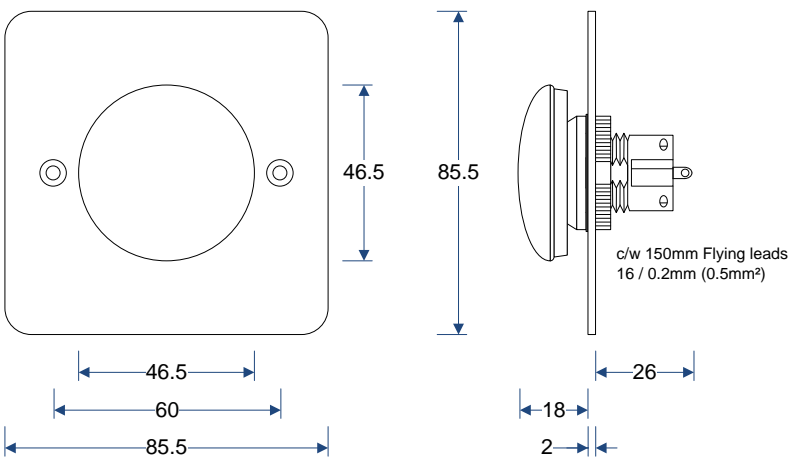
The switch has a momentary contact providing one normally open and one normally closed circuit. A double pole / double throw (two times normally open and two times normally closed circuits) version is available to special order.

The switch plate is laser cut from two millimetre grade 304 dull polish stainless steel. Legends are screen printed using a two part self etching ink.

Custom engraving including braille and international text is also available. We can laser etch your logo on the plate to help build your brand identity.

Products are supplied flush mount, complete with screws and 35mm galvanised steel electrical backbox.

Dimensions (mm) :



- IP67 Ingress protection
- Momentary contact
- Anti-rotational mounting
- Impact rating – 20J
- -40°C to +125°C operating range
- RoHS Compliant

Technical

Switching function	Momentary, N/O, N/C
Current rating	2A max resistive at 12/24Vdc
Insulation resistance	1GΩ
Life (electrical)	100,000 cycles 20° / 50,000 @ 70°
Contact resistance	25mΩ
Ingress protection	IP67
Impact rating	20J
Shock	50g
Operating temp. °C	-40°C to +125°C
Body / actuator material	Zinc alloy
Contact / terminal	Fine silver / tin plate nickel
Travel	2.5mm
Life (mechanical)	2 x 10 ⁶ cycles (nominal)
Operating force	7N
Contact bounce	5ms
Circuit form (Form Z)	

Technical (panel)

Material	G304 Stainless steel
Dims	85.5 x 85.5 x 2mm
Legend	Screen print self etching ink

Ordering information:

3E0670-1PTE

Large green actuator, 1 gang, SSS, PRESS TO EXIT