



3E0656-GB-PTE

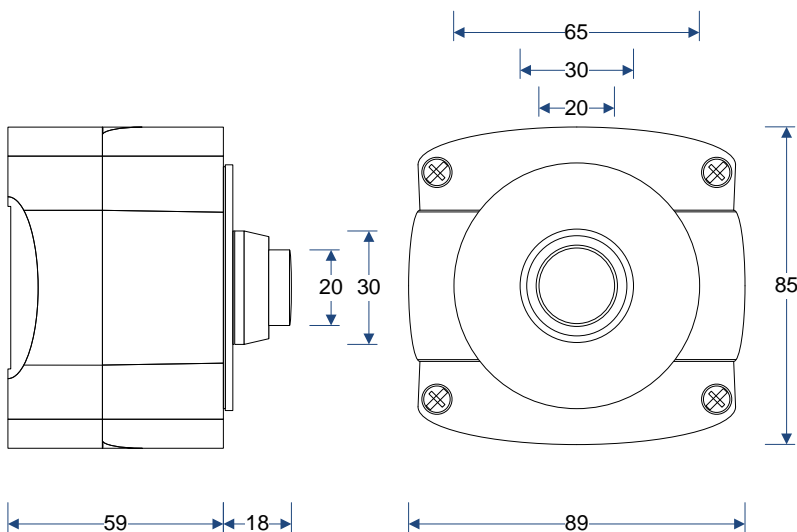
**Overview**

The 3E0656-GB-PTE is just one of the variants in the range of high impact, externally rated surface mount buttons. The robust two part cross polymer housing incorporates an integral gasket that seals the unit to IP66, coupled with the original raised green push button, makes the unit an effective and reliable solution for external egress and other outdoor switching applications.

The housings are available in two colour combinations – grey lid with a black base and black base with a highly contrasting yellow lid. Both models are easily identifiable to the user. The base incorporates pre-moulded conduit knockouts (both M16 and M20), these aid installation by ensuring effective cable management.

Legend discs are manufactured from an externally rated bi-colour engraving laminate which is available in a variety of colour combinations. The discs are gasketed using an open cellular foam, when the switch is tightened to the unit, the cells close to maintain the IP rating. Custom legend discs are available to special order to suit particular applications – please call to discuss your requirements.

**Dimensions (mm) :**



- IP66 Ingress protection
- Impact rating – 20J
- Momentary contact
- RoHS Compliant
- M16/20 pre-moulded conduit knockouts

**Technical (switch)**

|                          |                                      |
|--------------------------|--------------------------------------|
| Current rating           | 2A max resistive at 12/24Vdc         |
| Insulation resistance    | 1GΩ                                  |
| Life (electrical)        | 100,000 cycles 20° / 50,000 @ 70°    |
| Contact resistance       | 25mΩ                                 |
| Ingress protection       | IP67                                 |
| Impact rating            | 20J                                  |
| Shock                    | 50g                                  |
| Operating temp. °C       | -40°C to +125°C                      |
| Body / actuator material | Zinc alloy                           |
| Contact / terminal       | Fine silver / tin plate nickel       |
| Travel                   | 2.5mm                                |
| Life (mechanical)        | 2 x 10 <sup>6</sup> cycles (nominal) |
| Operating force          | 7N                                   |
| Contact bounce           | 5ms                                  |
| Circuit form (Form Z)    |                                      |

**Technical (housing)**

|                    |                         |
|--------------------|-------------------------|
| Ingress protection | IP66                    |
| Material           | PC + PBT cross polymer  |
| Approvals          | UL listed, CSA approved |

**Ordering information:**

3E0656-GB-PTE

IP66 Surface mount raised green button, grey/black housing, green disc – engraved PRESS TO EXIT